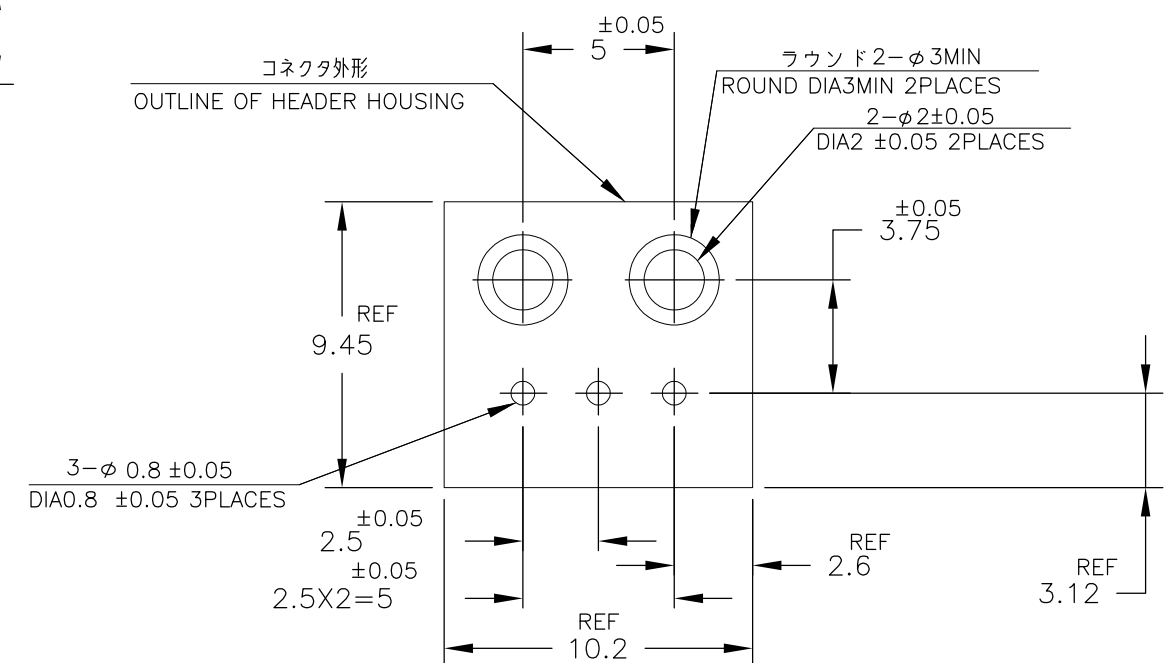
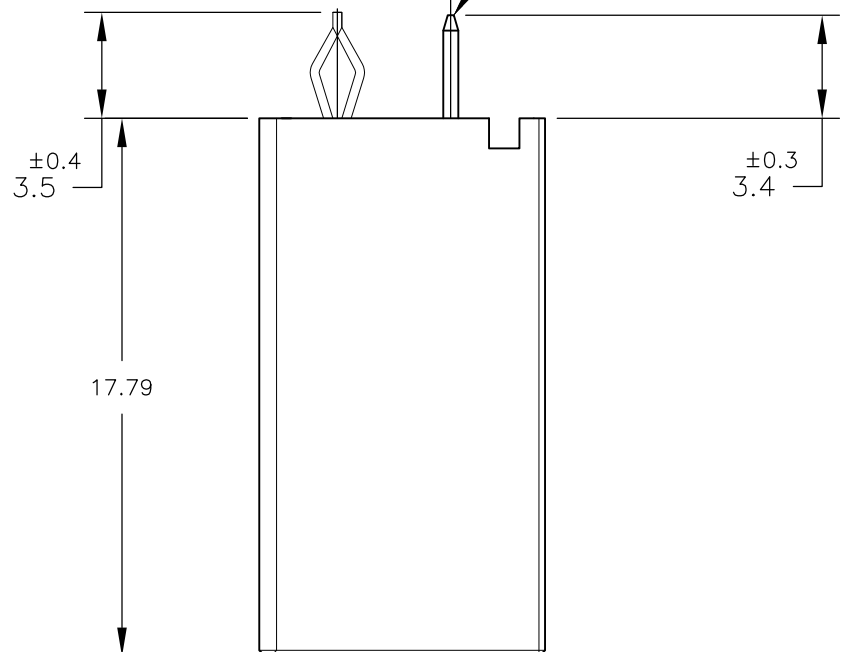
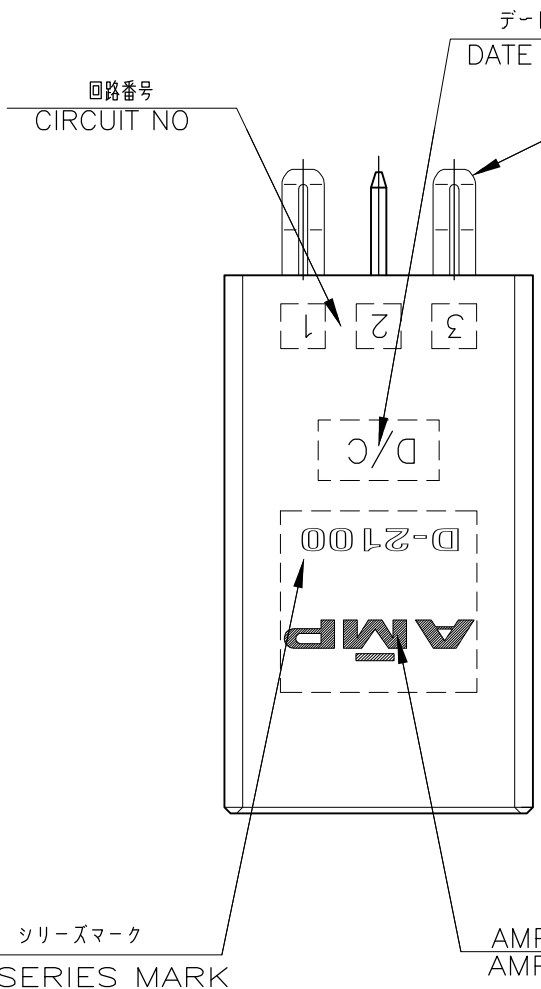


THIS DRAWING IS UNPUBLISHED. RELEASED FOR PUBLICATION  
 © COPYRIGHT 2012 By Tyco Electronics Japan G.K. ALL RIGHTS RESERVED.

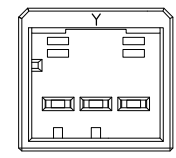
| LOC | DIST | REVISIONS |     |             |           |     |      |
|-----|------|-----------|-----|-------------|-----------|-----|------|
| J   | —    | P         | LTR | DESCRIPTION | DATE      | DWN | APVD |
|     |      | C         |     | REVISED     | 11MAY2012 | H.M | N.Y  |



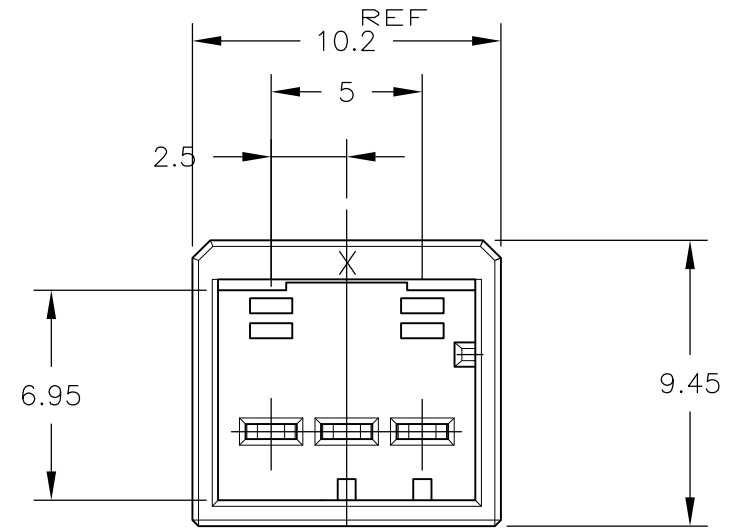
推奨基板取付け穴寸法 (公差: ±0.05)

PC 基板厚: 1.6 ±0.3 (コネクタ搭載面)

RECOMENDED PC BOARD HOLE PATTERN (TOLERANCE :±0.05)  
 PC BOARD THICKNESS:1.6±0.3 (CONNECTOR MOUNT SIDE)



1318123-2 (KEYING Y) SCALE:2-1



1318123-1 (KEYING X)

NOTES

- MATERIAL:HOUSING:GLASS FILED THERMO PLASTIC POLYESTER(94V-0)  
 TAB CONTACT:COPPER ALLOY  
 RETENTION LEG:BRASS
- △ FINISH(CONTACT AREA):0.38μmMIN GOLD PLATING OVER Ni PLATING
- △ FINISH(RETENTION LEG): TIN PLATED (CONTACT TAIL) OVER NICKEL

注記

- 材料:ハウジング:ガラス入り熱可塑性ポリエステル樹脂 (94V-0)  
 タブ コンタクト:銅合金  
 リテンション レグ:黄銅
- めっき:コンタクト:全面Ni下地  
 接触部:0.38μmMIN金めっき
- めっき:リテンションレグとコンタクト半田付部:ニッケル下地の上にスズめっき

|     |         |             |
|-----|---------|-------------|
| Y   | NATURAL | 9-1318123-2 |
| Y   | BLACK   | 1318123-2   |
| X   | BLACK   | 1318123-1   |
| KEY | COLOR   | PART No.    |

|   |  |                                 |   |                    |                    |
|---|--|---------------------------------|---|--------------------|--------------------|
| THIS DRAWING IS A CONTROLLED DOCUMENT.  |  | DWN<br>K.IKEDA<br>07DEC1998     | TE Connectivity   |                    |                    |
| DIMENSIONS:<br>mm   |  | CHK<br>N.MATSUBARA<br>07DEC2012 |   |                    |                    |
| TOLERANCES UNLESS OTHERWISE SPECIFIED:  |  | APVD<br>I.HASEGAWA<br>07DEC2012 | NAME<br>SINGLE ROW HEADER ASSY 3P V-TYPE<br>DYNAMIC D-2100D |                    |                    |
| 0 PLC ± 10 ± 0.3<br>1 PLC ± 30 ± 0.35<br>2 PLC ± 100 ± 0.4<br>3 PLC ±<br>4 PLC ±<br>ANGLES ± 3° |  | PRODUCT SPEC<br>108-5619        | DRAWING NO<br>C-1318123                                     |                    |                    |
| MATERIAL<br>SEE NOTE  |  | APPLICATION SPEC<br>114-5258    | SIZE<br>A3  | CAGE CODE<br>00779 | RESTRICTED TO<br>— |
| FINISH<br>SEE NOTE  |  | WEIGHT                          | SCALE<br>4:1  |                    |                    |
| CUSTOMER DRAWING  |  |                                 | SHEET<br>1 OF 2   |                    |                    |
|   |  |                                 | REV<br>C  |                    |                    |

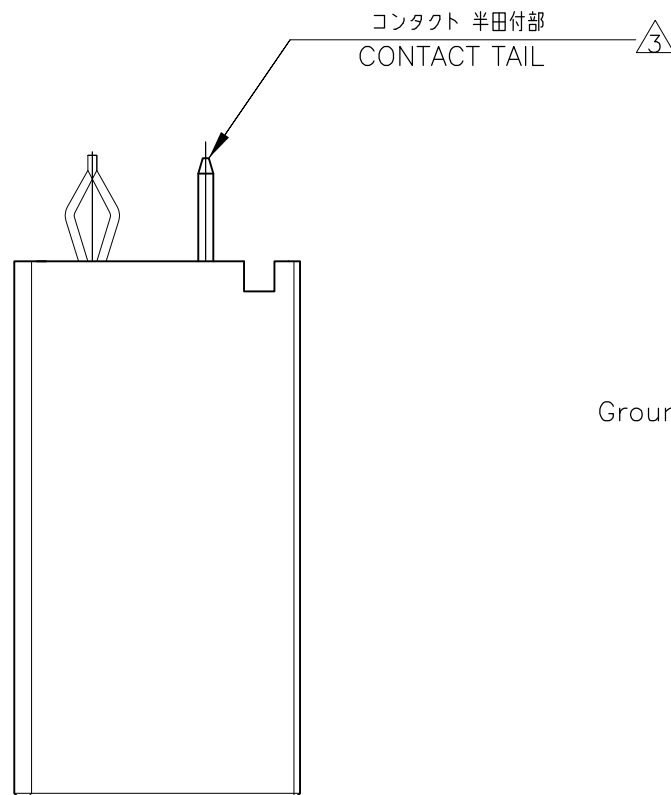
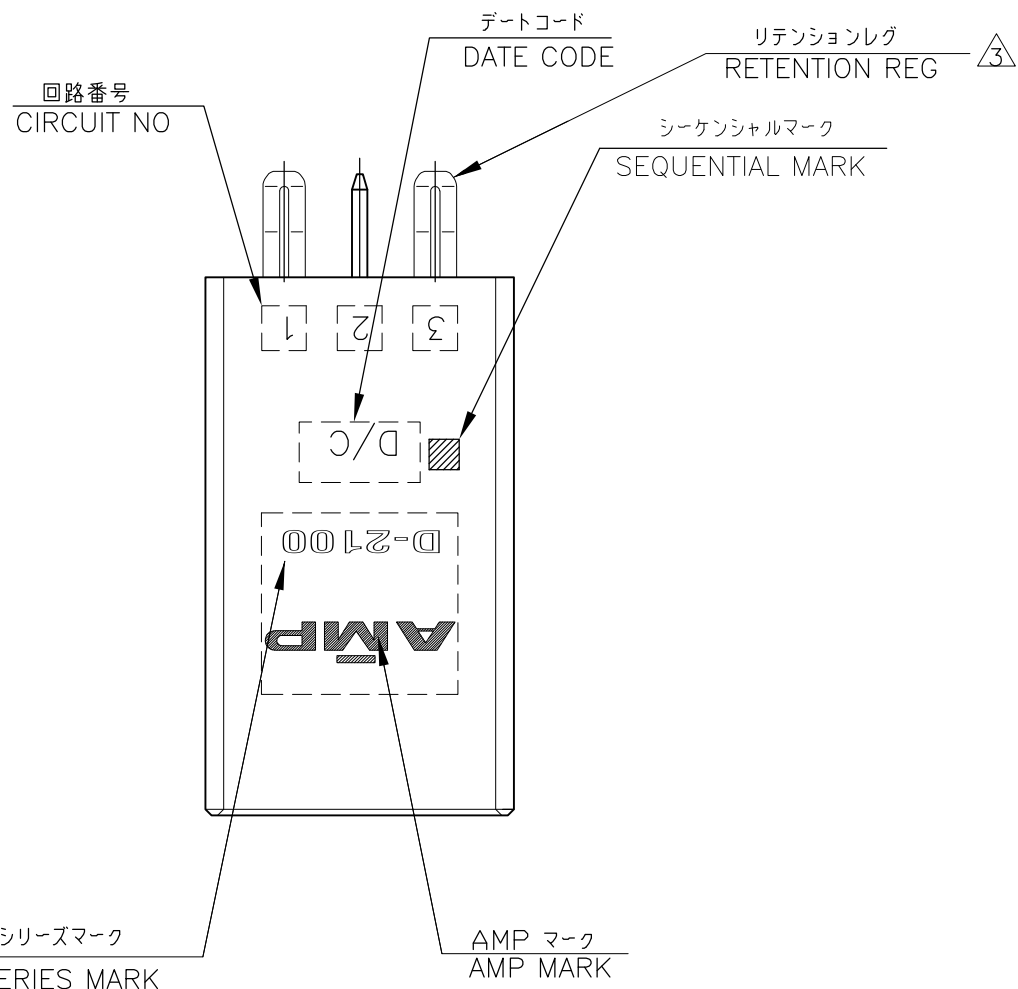
THIS DRAWING IS UNPUBLISHED.

RELEASED FOR PUBLICATION

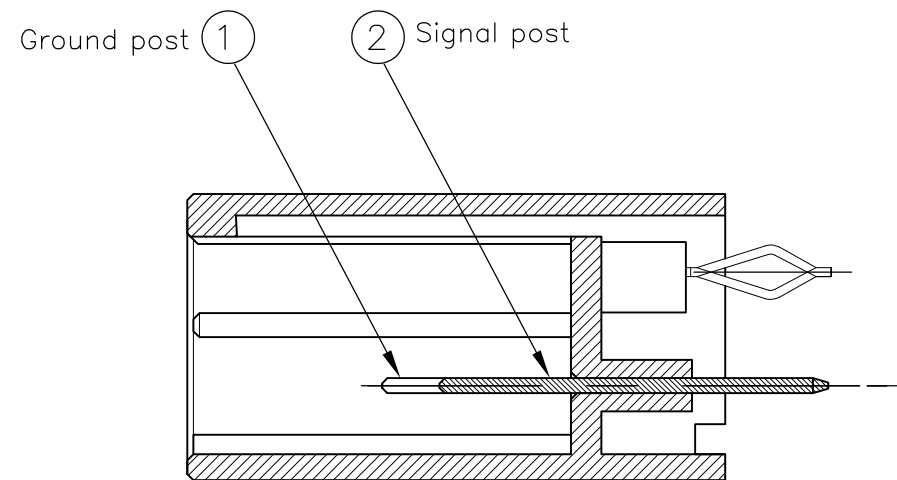
© COPYRIGHT 2012 By Tyco Electronics Japan G.K.

ALL RIGHTS RESERVED.

| LOC | DIST | REVISIONS |     |             |      |     |      |
|-----|------|-----------|-----|-------------|------|-----|------|
| J   | —    | P         | LTR | DESCRIPTION | DATE | DWN | APVD |
|     |      | —         |     | SEE SHEET 1 | —    | —   | —    |



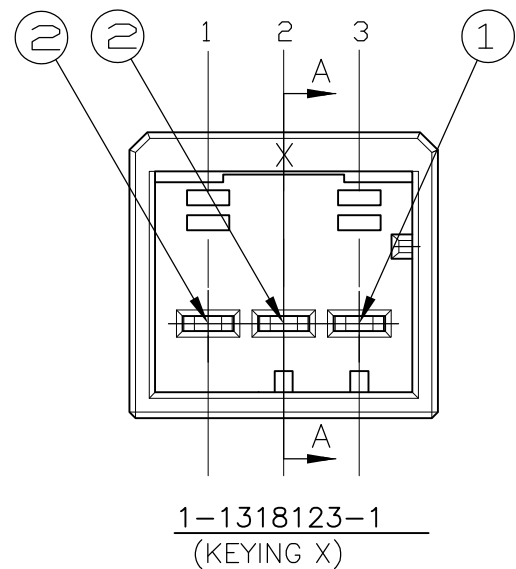
1-1318123-1;AS SHOWN SEQUENTIAL TYPE



SECT A-A

|    |             |             |             |
|----|-------------|-------------|-------------|
|    | 回路番号        |             |             |
|    | 1           | 2           | 3           |
| 1列 | ②<br>Signal | ②<br>Signal | ①<br>Ground |

POINT OF SEQUENTIAL  
1-1318123-1  
(KEYING X)



1-1318123-1  
(KEYING X)

NOTES

- 1. MATERIAL:HOUSING:GLASS FILED THERMO PLASTIC POLYESTER(94V-0)  
TAB CONTACT:COPPER ALLOY  
RETENTION LEG:BRASS
- △ FINISH(CONTACT AREA):0.38μmMIN GOLD PLATING OVER Ni PLATING
- △ FINISH(RETENTION LEG): TIN PLATED (CONTACT TAIL) OVER NICKEL

注記

- 1. 材料:ハウジング:ガラス入り熱可塑性ポリエステル樹脂 (94V-0)  
タブ コンタクト:銅合金  
リテンションレグ:黄銅
- △ めっき:コンタクト:全面Ni下地  
接触部:0.38μm MIN金めっき
- △ めっき:リテンションレグとコンタクト半田付部  
:ニッケル下地の上にスズめっき

|     |       |             |
|-----|-------|-------------|
| X   | BLACK | 1-1318123-1 |
| KEY | COLOR | PART No.    |

|  |   |                                 |   |                 |                    |                         |   |                      |       |       |   |                       |      |       |   |  |  |       |   |  |  |        |  |  |     |                          |               |  |  |
|--|---|---------------------------------|---|-----------------|--------------------|-------------------------|---|----------------------|-------|-------|---|-----------------------|------|-------|---|--|--|-------|---|--|--|--------|--|--|-----|--------------------------|---------------|--|--|
| THIS DRAWING IS A CONTROLLED DOCUMENT.   |   | DWN<br>K.IKEDA<br>07DEC1998     | TE Connectivity   |                 |                    |                         |   |                      |       |       |   |                       |      |       |   |  |  |       |   |  |  |        |  |  |     |                          |               |  |  |
| DIMENSIONS:<br>mm  |   | CHK<br>N.MATSUBARA<br>07DEC2012 |   |                 |                    |                         |   |                      |       |       |   |                       |      |       |   |  |  |       |   |  |  |        |  |  |     |                          |               |  |  |
| TOLERANCES UNLESS OTHERWISE SPECIFIED:   |   | APVD<br>I.HASEGAWA<br>07DEC2012 | NAME<br>SINGLE ROW HEADER ASSY 3P V-TYPE<br>DYNAMIC D-2100D |                 |                    |                         |   |                      |       |       |   |                       |      |       |   |  |  |       |   |  |  |        |  |  |     |                          |               |  |  |
| <table border="0"> <tr> <td>0 PLC</td> <td>±</td> <td>10<sub>2</sub></td> <td>±0.3</td> </tr> <tr> <td>1 PLC</td> <td>±</td> <td>30<sub>2</sub> &gt; 10</td> <td>±0.35</td> </tr> <tr> <td>2 PLC</td> <td>±</td> <td>100<sub>2</sub> &gt; 30</td> <td>±0.4</td> </tr> <tr> <td>3 PLC</td> <td>±</td> <td></td> <td></td> </tr> <tr> <td>4 PLC</td> <td>±</td> <td></td> <td></td> </tr> <tr> <td>ANGLES</td> <td></td> <td></td> <td>±3°</td> </tr> </table> |   | 0 PLC                           | ±   | 10 <sub>2</sub> | ±0.3               | 1 PLC                   | ± | 30 <sub>2</sub> > 10 | ±0.35 | 2 PLC | ± | 100 <sub>2</sub> > 30 | ±0.4 | 3 PLC | ± |  |  | 4 PLC | ± |  |  | ANGLES |  |  | ±3° | PRODUCT SPEC<br>108-5619 | RESTRICTED TO |  |  |
| 0 PLC  | ± | 10 <sub>2</sub>                 | ±0.3  |                 |                    |                         |   |                      |       |       |   |                       |      |       |   |  |  |       |   |  |  |        |  |  |     |                          |               |  |  |
| 1 PLC  | ± | 30 <sub>2</sub> > 10            | ±0.35   |                 |                    |                         |   |                      |       |       |   |                       |      |       |   |  |  |       |   |  |  |        |  |  |     |                          |               |  |  |
| 2 PLC  | ± | 100 <sub>2</sub> > 30           | ±0.4  |                 |                    |                         |   |                      |       |       |   |                       |      |       |   |  |  |       |   |  |  |        |  |  |     |                          |               |  |  |
| 3 PLC  | ± |                                 |   |                 |                    |                         |   |                      |       |       |   |                       |      |       |   |  |  |       |   |  |  |        |  |  |     |                          |               |  |  |
| 4 PLC  | ± |                                 |   |                 |                    |                         |   |                      |       |       |   |                       |      |       |   |  |  |       |   |  |  |        |  |  |     |                          |               |  |  |
| ANGLES   |   |                                 | ±3°   |                 |                    |                         |   |                      |       |       |   |                       |      |       |   |  |  |       |   |  |  |        |  |  |     |                          |               |  |  |
| MATERIAL<br>SEE NOTE   |   | FINISH<br>SEE NOTE              | APPLICATION SPEC<br>114-5258                                | SIZE<br>A3      | CAGE CODE<br>00779 | DRAWING NO<br>C-1318123 |   |                      |       |       |   |                       |      |       |   |  |  |       |   |  |  |        |  |  |     |                          |               |  |  |
| CUSTOMER DRAWING   |   |                                 | WEIGHT  | SCALE<br>4:1    | SHEET<br>2 OF 2    | REV<br>C                |   |                      |       |       |   |                       |      |       |   |  |  |       |   |  |  |        |  |  |     |                          |               |  |  |

# Mouser Electronics

Authorized Distributor

Click to View Pricing, Inventory, Delivery & Lifecycle Information:

[TE Connectivity:](#)

[1318123-1](#)