

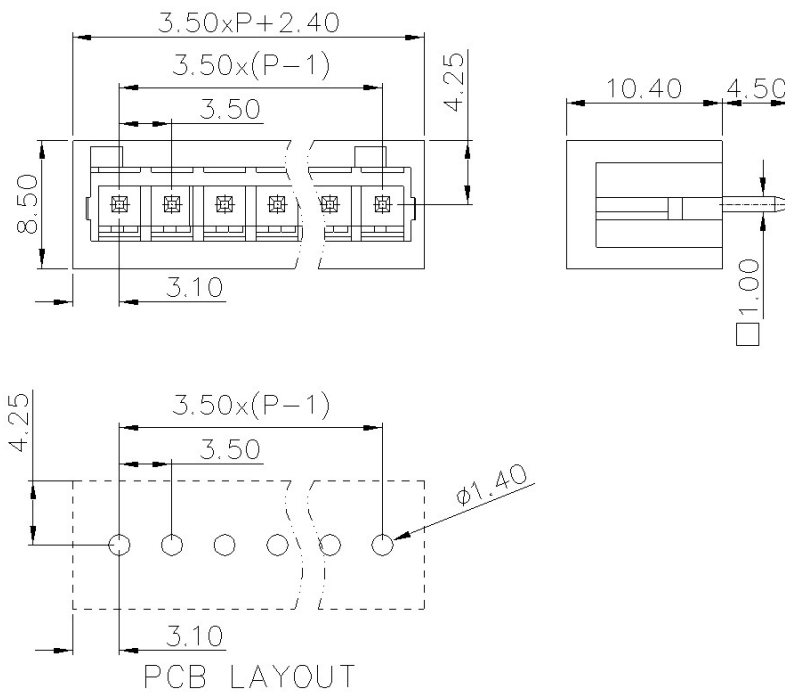
Category: 插拔式端子-插座/Plug-in terminal-plug

Product name: 4352XX

Product Description: 3.5mm , 160V , 10A CE , UL



Product Picture



基本信息 /Basic Information

产品型号 SUPU ID	4352XX
产品间距 Pitch	3.5mm
产品层数 Number of levels	1
产品位数 Number of connections	2P-24P
接线方式 Connection method	-
防护等级 Protection Level	IP20

工作温度 Work temperature	-40~+105℃
--------------------------	-----------

IEC数据 /IEC Data

额定电流 Rated Current	10A		
额定电压 Rated Voltage	160V		
过压类别 Overvoltage category	III	III	II
污染等级 Pollution degree	3	2	2
额定冲击电压 Rated impulse voltage	2.5KV	2.5KV	2.5KV
额定电压 Rated Voltage	160V	160V	320V
硬导线截面积 Conductor cross section solid	-		
柔性导线截面积 Conductor cross section flexible	-		
柔性导线截面积，带绝缘管套 Conductor cross section flexible,with furrule	-		
锁线螺钉规格 Locking screw Specification	-		
额定扭矩 Rated Torque	-		
固定螺钉规格 Fixed Screw Specification	-		
额定扭矩 Rated Torque	-		
剥线长度 Stripping length	-		

UL数据 /UL Data

使用组别 Use group	B	C	D
额定电流 Rated Current	10A	-	10A
额定电压 Rated Voltage	300V	-	300V

额定接线容量
Rated cross section

材料信息 /Material Data

绝缘材料 Insulation material	PA66
绝缘材料组别 Insulation material group	I
阻燃等级,符合UL94 Flame retardant grade, UL94 compliance	V0
导电体材料 Contact material	Copper alloy
导电体表面镀层 Surface characteristics	Sn,Plated

产品认证 /Product Certification

认证图标
Certificate



UL证书号
UL file No.

VDE证书号
VDE No.

TUV证书号
TUV No.

Ningbo Supu Electronics Co.,Ltd

Zip code: 315303

Fax: +86 574-63288170

E-mail : askme@supu.cn

Address: No. 625, Kandun Town Street, Cixi
City, Zhejiang Province

Switchboard: +86 574-63288158

E-mail : askme@supu.cn

Service Hotline: 400-626-6336



Code