

Data sheet

Commercial Art.No.: 96.233.3000.1

Cable assembly RST20i3K1BS 25P 30SW

RST20i3 extension cable female - male, 3 pole, assembled with shrinkage tube, application 250V with PE, 20A, cable type H05VV-F, length 3.0m, cross section 2.5mm², coding color black



Commercial Art.No.	96.233.3000.1
EAN	4015573760165
Order Unit	1

Certificates / Approvals



Technical data

General

Rated current	20 A
Rated voltage	250 V
Rated impulse voltage	4 kV
Pollution degree	3
Lockable	self-locking (unlocking by tool)
Color of coding/ contact carrier	black
Marking of poles	L, N, PE
Color of housing inclusive strain relief	black

Model

type of construction	Shrinkage tube
Connection type	Crimp
Nominal cross section conductor	2.5 mm ²
Degree of protection (IP)	IP66/68 (3m;2h)
Cable type	H05VV-F
Cable color	black
Cable diameter min.	9.7 mm
Cable diameter max.	10.1 mm
Version of cable	female - male
Type of cord set	connecting cable
Version cable end 1	female
Version cable end 2	male
Shielded	No

Material

Surface finish	Silver-plated
halogen free	No
Continuous temperature of cable	70 °C
Insulation components continuous temperature	100 °C
Fire load	1.884 kWh
Fire class	Eca

Dimensions

Total length	3 m
--------------	-----

Classification

ECLASS 11	
ECLASS 8.1	27440604
ETIM 7.0	EC002587
ETIM 6.0	EC002587
ETIM 5.0	EC002587
ETIM 4.0	EC002587

Note

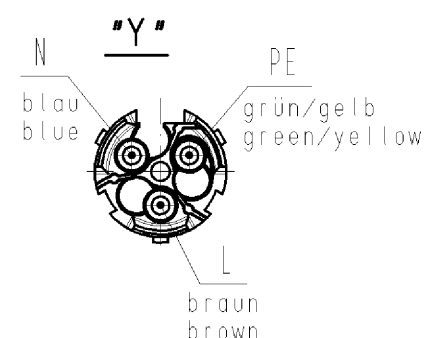
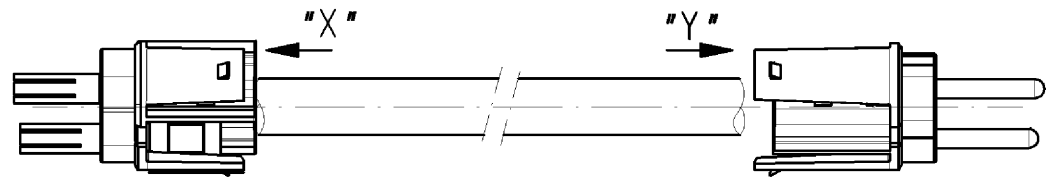
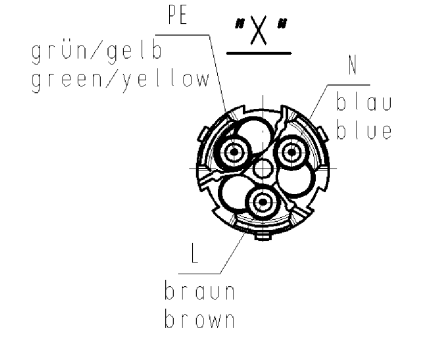
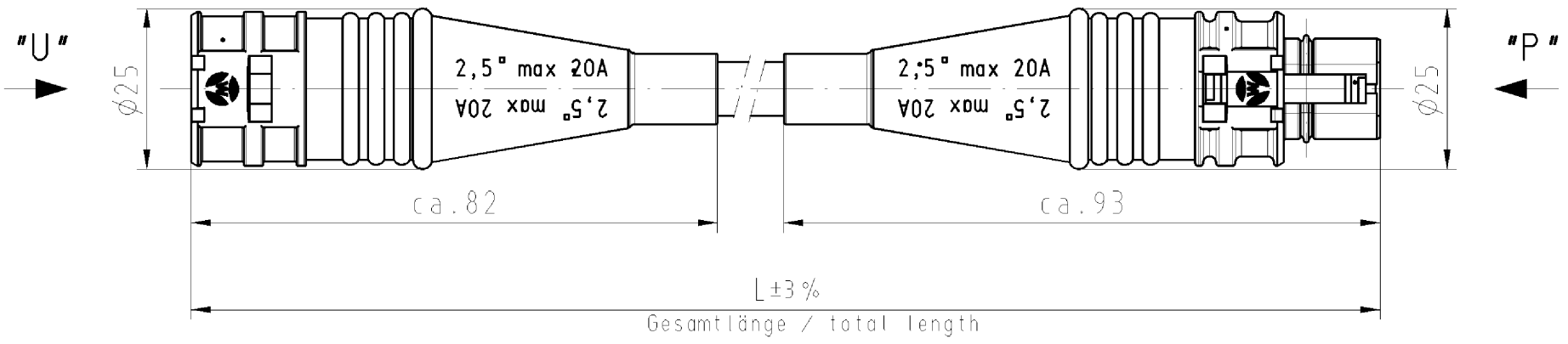
Note	The total length may vary up to + / - 3 %.
------	--

Product compliance

ROHS conformity status	Compliant/Exempted
ROHS exceptions	III-6(c)
REACH-SVHC conformity status	Duty-To-Declare
REACH-SVHC substances	Lead
REACH-SVHC CAS numbers	7439-92-1

These dimensions will be especially checked at delivery
 Only inspection dimensions
 With / PE marked dimensions are only valid for internal use

Diese Maße werden bei Abnahme besonders geprüft
 Ausschließlich Prüfmaße
 Mit / PE gekennzeichnete Maße sind nur für interne Zwecke gültig



.F	Farbe colour	Codierung "U" Buchse female	Codierung "P" Stecker male
.0	lichtgrau light grey	N PE	PE
.1	schwarz black	L	L

Weitere Daten siehe Katalog
 further data see catalog

Typ/type: RST2013K1BS 25P .. GL = lichtgrau/light grey
 SW = schwarz/black

Teile - Nr. part - no.	L	Beispiel (Farbe: schwarz) exampel (colour: black)	Typ type
96.233.XX00.F	XX in dm-Schritten	96.233.1000.1 = 10dm/L= 1000mm	RST2013K1BS 25P 10SW
U6.233.XX00.F	XX in m-Schritten	U6.233.1200.1 = 12 m/L=12000mm	RST2013K1BS 25P X12SW

Tolerierung nach DIN 7167/Tolerance system acc. to DIN 7167. (This DIN-standard describes the envelope principle. According to the envelope principle the deviations of form and parallelism are limited by the size tolerances).		ja/yes <input checked="" type="checkbox"/> Stoffverbots- und Deklarationsliste nach UU-TQM-05/03 ist einzuhalten. Conformity with Wieland document UU-TQM-05/03 (list of prohibited / declarable hazardous substances) to be declared!	
Freitoleranz nach DIN 16901 TG 130 General tolerance		CAD - Zeichnung, keine manuellen Änderungen CAD - drawing, no manual modifications allowed	
1. Verwendung: First Use: -		Blatt: 1 von 1 Sheet: of 1	
Werkstoff/Material		2006 Tag/Date	Name
/		gezeichnet drawn	28.03. Schmitt J.
/ Maßstab/Scale		geprüft checked	-
/ %		Normgepr. Stand. check	-
/ Vol. mm³		Ersatz für/Replacement for: -	
/ Öl./Surf. mm²		-	
/		Type	Benennung/Title
/		KONFEKT_LEITUNG	
/		Buchse-Stecker / male-female pre-assembled cable	
Index	Datum / Blatt Date / Sheet	Maße in mm/Dimensions are in mm	
Änderung/Revision		T 96.233.0400.0 01K	



962330400001K_4_CADW1042_Schmitt 2006-03-30T14:16:38 1.000

Weitergabe sowie Vervielfältigung dieses Dokuments, Verstoß und Mitteilung seines Inhalts sind verboten, soweit nicht ausdrücklich gestattet. Die Reproduktion, Distribution und Utilization of this document as well as the communication of its contents to others without express authorization is prohibited.